

# AIR TORQUE

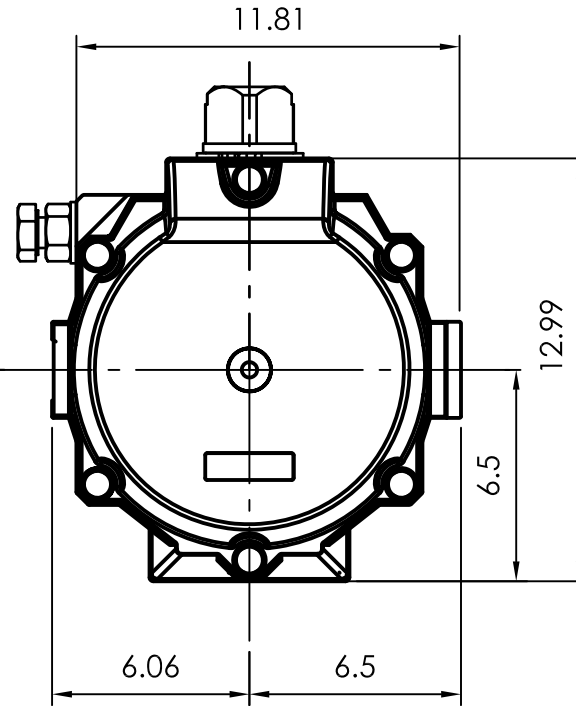
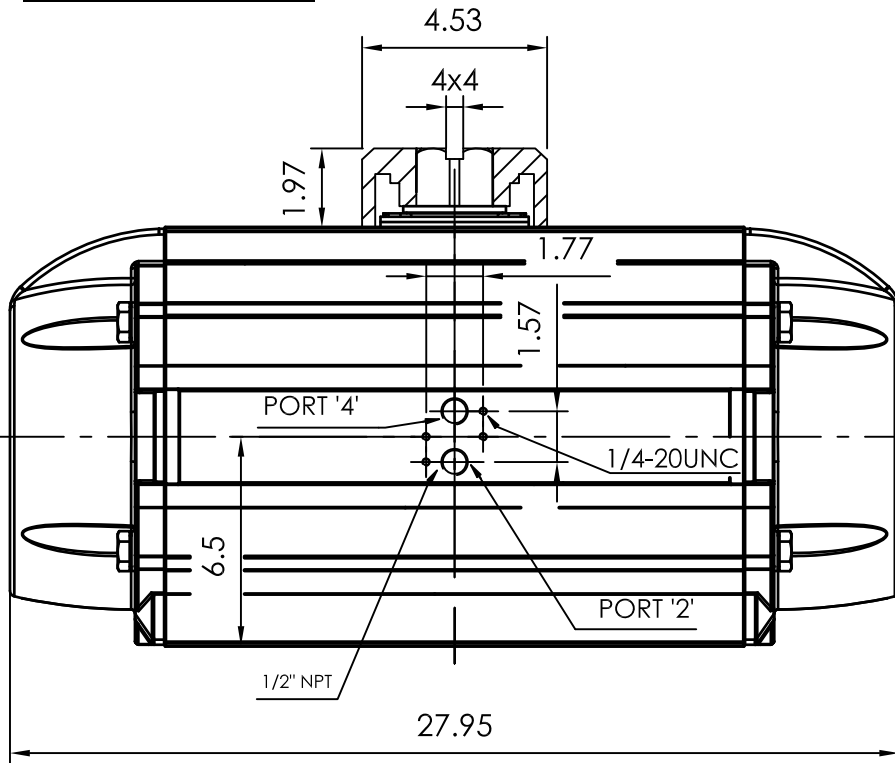
**AIR TORQUE S.p.A.**  
 via Alla Campagna, N°1  
 24060 Costa di Mezzate (Bg) Italy  
 Tel.: +39 035 682299  
 Fax: +39 035 687791  
 E-mail: info@airtorque.it

Technical Data Sheet n° PT700DU  
 Issued on: 12/04

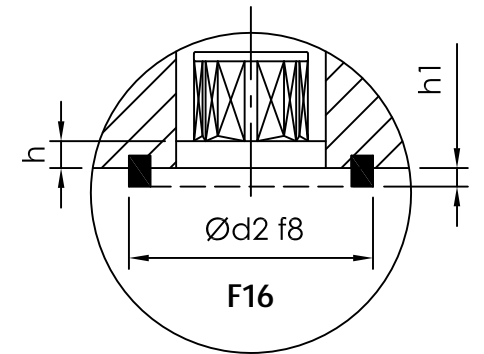
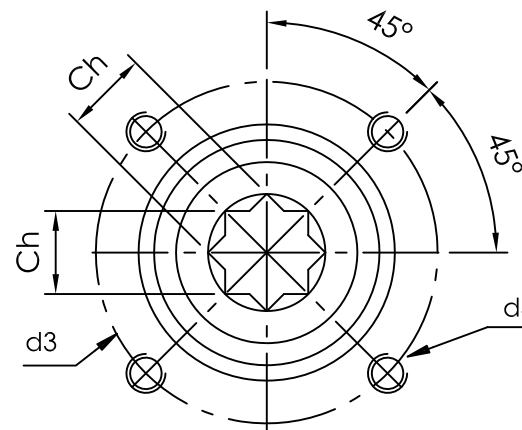
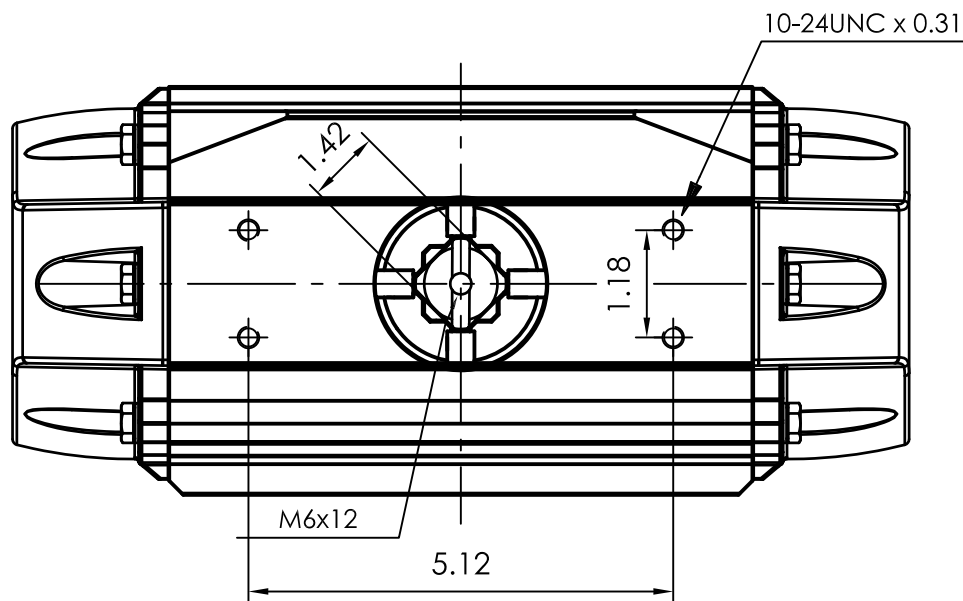
Page: 1/1

**Model PT700**  
**DA and SR - 90°**

Dimensions in inch



Flange Dimensions	
ISO 5211	F16
d2 f8	5,12
d3	6,5
d4	3/4-10UNC x 1,18
H	5,12
Ch	1,81
I min.	1,89
h min.	0,1
h1	0,16
Pressure connection	N 4
Ancillary Attachment	AA 4



Spigot available only on request

TYPE	OUTPUT TORQUE FOR DOUBLE ACTING IN INCH-LBS										WEIGHT (LBS)					
	40 Psi		50 Psi		60 Psi		70 Psi		80 Psi		90 Psi		100 Psi		116 Psi	
Pressure	0°	90°	0°	90°	0°	90°	0°	90°	0°	90°	0°	90°	0°	90°	0°	90°
D	12663.0		15829.0		18995.0		22161.0		25327.0		28493.0		31659.0		36724.0	

TYPE	OUTPUT TORQUE FOR SPRING RETURN IN INCH-LBS										Spring stroke		WEIGHT (LBS)						
	40 Psi		50 Psi		60 Psi		70 Psi		80 Psi		90 Psi			100 Psi		116 Psi			
Pressure	0°	90°	0°	90°	0°	90°	0°	90°	0°	90°	0°	90°	0°	90°	0°	90°	90°	0°	
S 05	7836	5576	11002	8742	14168	11907	17333	15073	20499	18239	23665	21405	26831	24571	31899	29639	7088	4828	188
S 06	6870	4158	10036	7324	13202	10490	16368	13656	19534	16822	22700	19987	25865	23153	30933	28221	8505	5793	192
S 07	5905	2741	9071	5906	12236	9072	15402	12238	18568	15404	21734	18570	24900	21736	29965	26801	9923	6759	195
S 08			8105	4489	11271	7655	14437	10821	17603	13986	20769	17152	23934	20318	29000	25384	11340	7724	199
S 09			7140	3072	10305	6237	13471	9403	16637	12569	19803	15735	22969	18901	28034	23966	12758	8690	202
S 10					9341	4820	12506	7986	15672	11151	18837	14317	22003	17483	27069	22549	14176	9655	206
S 11							11541	6569	14706	9734	17872	12900	21038	16066	26103	21131	15593	10621	209
S 12									13742	8317	16908	11483	20072	14648	25138	19713	17011	1158	213

Max. Pressure	Rotation	Screw stroke Adjustment	Chamber $\phi$ (inch)	Air Volume (in <sup>3</sup> )		Moving Time (Sec.) (A)		Operating Temperature (°F) (B)		
				Opening	Closing	Opening	Closing	STD (standard)	HT (high temperature)	LT (low temperature)
116 Psi	90° ±4° at 0° and 90°	For 1° adj. need 1/4 Turn	10,43	885	1305	D 4,0 S 4,5	D 4,5 S 5,0	NBR "O" ring - 4 to + 176	FPM "O" ring + 5 to + 300	Silicone "O" ring - 40 to + 176

**Notes:**

- (A) The above indicated moving time of the actuator, are obtained in the following test conditions:  
 (1) Room Temperature, (2) Actuator Stroke 90°, (3) Solenoid Valve with Orifice Of 11 mm and a flow capacity Qn 6000 L/min., (4) Inside pipe diameter 11 mm, (5) Medium clean air, (6) Air supply pressure 5,5 bar (79,75 Psi), (7) Actuator without external resistance load. **Cautions: obviously on the field applications when one or more of the above parameter are different, the moving time will be different.**
- (B) For HT (high temperature) and LT (low temperature) services, a special Lubricant is requested. Please contact Air Torque factory.

**Operating Medium:**

The operating medium must be free of dust and oil. The maximum particle size must not exceed 30µm (ISO 8573 Part1, Class5). In order to prevent water condensation and/or solidification – ice, when actuator work below 0°C (32°F) – the operating medium must have a dew point equal to -20°C (-4°F) or, at least 10°C below the ambient temperature (ISO 8573 Part1, Class3).